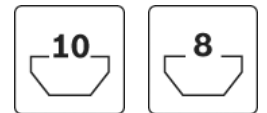


Profile connector

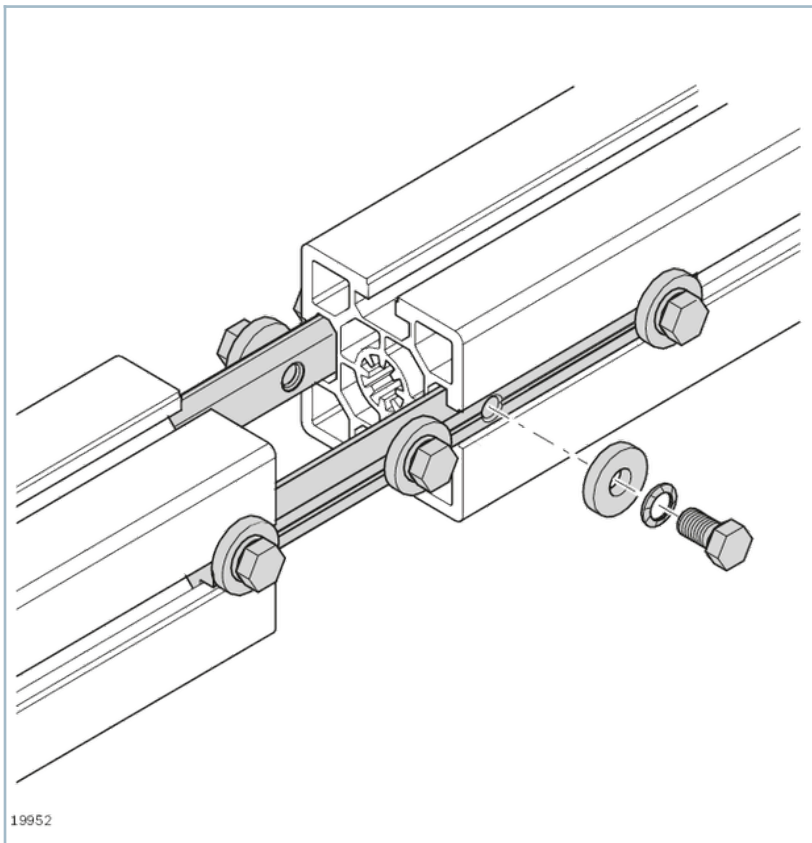


- Profile connector for the end-face connection of any profiles
- For an especially strong connection: one profile connector per slot
- Profile finishing: not required

Technical data

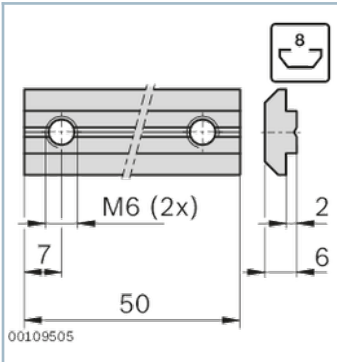
	Material	Tightening torque
Profile connector 50 VF	Galvanized steel Fastening material: Steel; zinc-plated	10 Nm
Profile connector 50		8.5 Nm
Profile connector 180, N8		10 Nm
Profile connector 180, N10		25 Nm

Fields of application

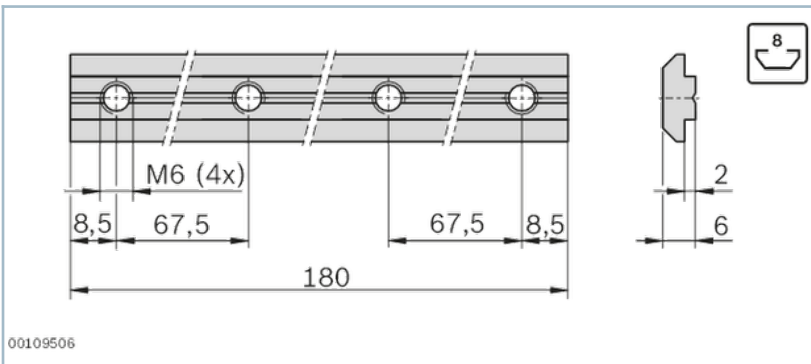


Dimensions

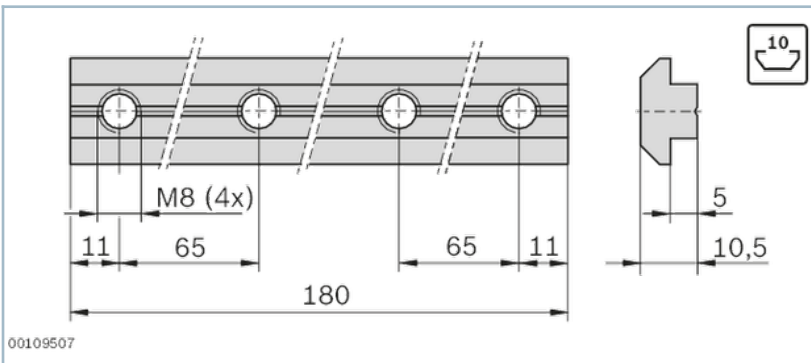
Profile connector 50, 50VF








Profile connector 180, N8



Profile connector 180, N10




Delivery notes

FS1	FS2	FS3	FS4	FS5
 DIN 913 M6x10	 M6x8 ISO 4762 A6,4	 DIN 4762 M6x10 DIN 7349 6,4	 ISO 4017 M8x14 8-Fst DIN 7394 8,4	 M8x12

Scope of delivery

Profile connector 50 VF	Incl. fastening material
Profile connector 50	incl. fastening material (FS)
Profile connector 180, N8	
Profile connector 180, N10	

Ordering codes

	Groove		FS	No.
Profile connector 50 VF	8	10	2xFS2	3842536787
Profile connector 50	8		2xFS1	3842518427
Profile connector 180, N8	8		4xFS3	3842521216
Profile connector 180, N10	10		4xFS4	3842528746